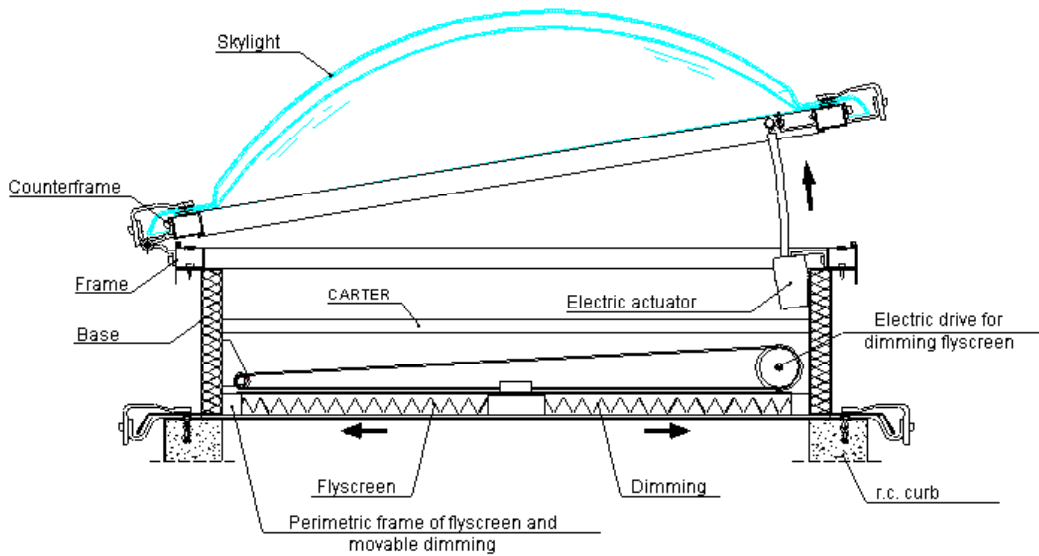
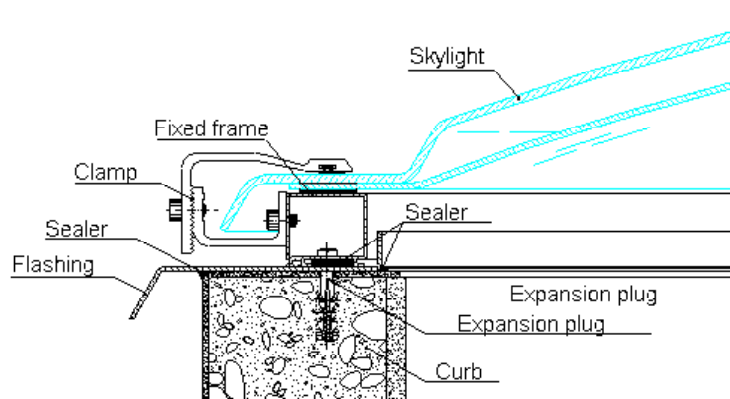


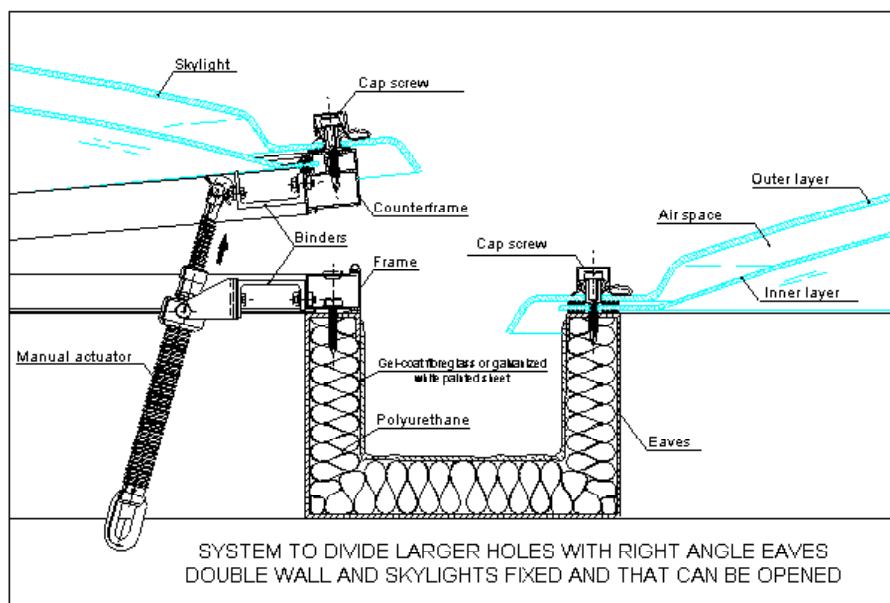
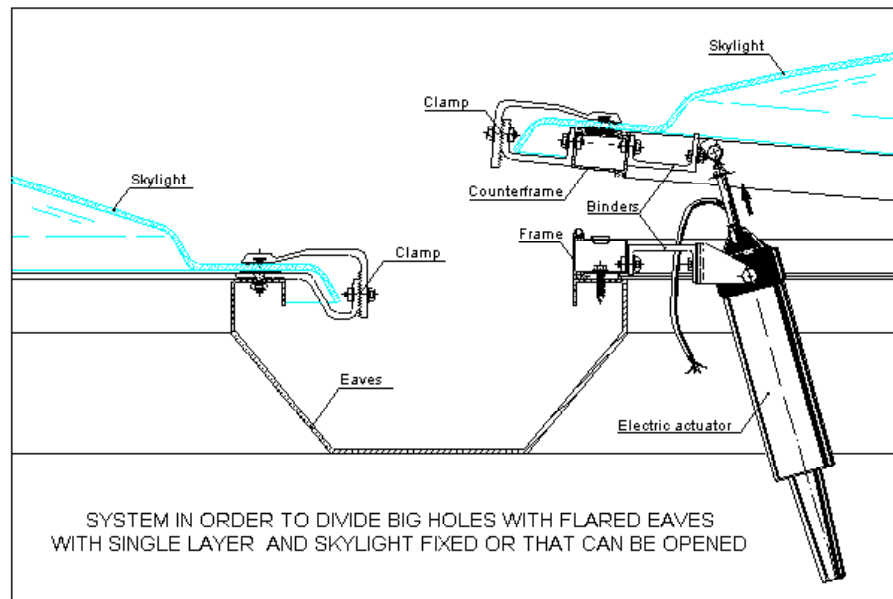
## Specifications 6 Accessories

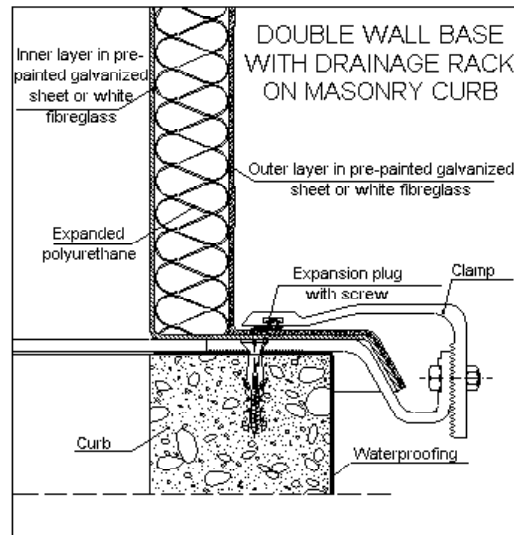
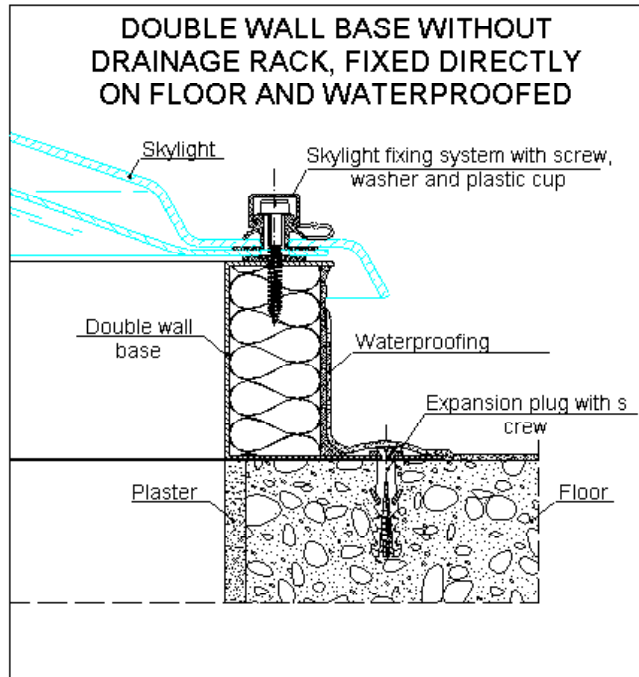


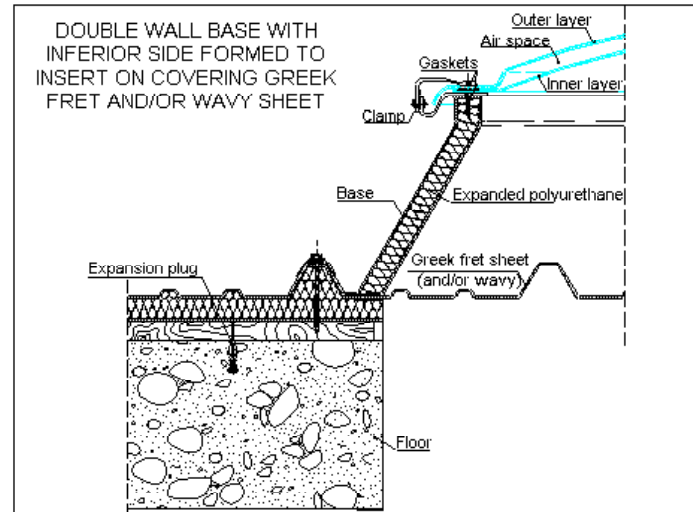
Double wall skylight that can be opened electrically with base and dimming-flyscreen driven electrically



DETAIL OF SKYLIGHT COMPLETED BY FIXED FRAME E FLASHING (OPTIONAL)







BASE									
Wall (S/D)	Material (LAV/VTR/MIS)	Colour (B/RAL)	Natural ventilation (PE/BA/BAF)	Kind of existing covering (SI/CI/LO/LG/LC)	C.D.	Outer Curb (EC)	Constrains (1/2/3/4)	Height	N°

NOTES

<b>BASE</b>	<b>S</b> for simple wall, <b>D</b> for double wall
	<b>LAV</b> for painted sheet, <b>VTR</b> for fibreglass, <b>MIS</b> for painted sheet and fibreglass
	<b>B</b> for white colour, <b>RAL</b> indicating colour desired, optional
	<b>PE</b> for natural ventilation made by shutter bases, <b>BA</b> for outlets, <b>BAF</b> for aspirators
	<b>SI</b> to indicate floor that must be waterproofed without masonry curb, <b>CI</b> waterproofed curb, <b>LO</b> wavy sheet, <b>LG</b> Greek fret sheet, <b>LC</b> insulated Greek fret sheet
	<b>C.D.</b> indicate clear dimension in cm (hole)
	<b>EC</b> indicate outer curb dimension in cm (if it exists)
	<b>Constrains</b> (possible) on one or more perimeter side (i.e. higher masonries, flues, piping etc...) 1 if the constrain is on side 1, side 2 ... etc
Indicate the base height in cm, if it is different from standard : standard base = 15 and 30 cm; shutter and outlets = 30 cm	